

一站式加固计算机品牌  
YOUR ONE-STOP RUGGED COMPUTING SOLUTION

**N15T**  
WWW.ONERUGGED.COM

**用户手册**  
USER MANUAL

**NERugged** 产品保修卡

产品名称: \_\_\_\_\_

产品型号: \_\_\_\_\_

客户名称: \_\_\_\_\_

购买日期: \_\_\_\_\_

出厂编码: \_\_\_\_\_

**维修记录**

保修日期	故障及检测情况说明	维修日期	维修员

**NERugged** WARRANTY CARD

PRODUCT NAME: \_\_\_\_\_

PRODUCT MODEL: \_\_\_\_\_

NAME OF CLIENT: \_\_\_\_\_

DATE OF PURCHASE: \_\_\_\_\_

FACTORY CODE: \_\_\_\_\_

**Maintenance record list**

DATE IN SERVICE	EQUIPMENT MAINTENANCE DETAIL	MAINTENANCE DATE	MAINTENANCE PERFORMED BY

**NERugged** 产品保修卡

**保修说明**

1.如下情况属于保修范围,可免费维修:  
 (1) 机器质保期为12个月,电源适配器、电脑数据线质保期为12个月。  
 (2) 在质保期内,非人为损坏,免费维修。  
 (3) 质保范围是指产品在正常使用下出现问题。备注:外观问题不属于保修范围。  
 2.如下情形非保修范围,如需提供维修服务,可酌情收取物料及服务费用:  
 (1) 退换货、送修途中由于运输、装卸所导致的损坏。  
 (2) 任何未经授权许可的改装、拆卸、维修。  
 (3) 意外因素或人为行为导致产品损坏。如:进液、摔损、输入不合适电压、过度挤压、主板变形等。对于电源适配器,若有明显的硬件损伤、裂痕、断脚、严重变形,电线破损、断线、裸芯等现象。  
 (4) 未按使用说明书要求安装、使用、维护、保管导致的产品故障或损坏。  
 (5) 保修凭证与产品型号不符或保修凭证被涂改。  
 (6) 产品铭牌、SN条码、防拆标签被撕掉或被损坏,模糊不清无法识别。  
 (7) 已经超出保修期限。  
 (8) 由于不可抗因素(如火灾、地震、水灾等)而造成的故障或损坏。  
 3.凭保修卡保修。

**送修服务指引**

(1) 送修前,请您提前备份个人数据。维修过程中可能会造成您个人数据的丢失,我们会保护您的个人隐私,但不承担维修过程中个人数据损坏、丢失的责任。  
 (2) 送修时,产品须经过授权服务中心专业的检测。确认故障后,服务中心会确定相应的维修方案。对于检测无故障产品,将原样退回。  
 (3) 因产品不符合保修条件需收取费用的,授权服务中心将向消费者收取维修费。

**NERugged** WARRANTY CARD

**PRODUCT WARRANTY**

1.The following are covered by the warranty and can be repaired free of charge:  
 2.(1) From the purchase date, 12 months warranty period supply for machine,power adapter and data cable.  
 (2)In the case of any malfunction/ breakage/damage that occurs under normal conditions (Non-human damage) within the warranty period, repair will be performed by free.  
 (3) The warranty covers problems with the product under normal use. Note: cosmetic issues are not covered by the warranty.  
 2. The following conditions are not covered under the terms of the warranty. If maintenance services are required, material and service fees may be charged as appropriate:  
 (1) Damage caused by transportation, loading and unloading during return, exchange, and repair.  
 (2) Any unauthorized modification, disassembly and repair.  
 (3) Damage caused by accidental factors or human actions. Such as: liquid ingress, drop damage, input inappropriate voltage, excessive extrusion, motherboard deformation, etc. For the power adapter, if there are obvious hard object damage, cracks, broken feet, severe deformation, damaged wires, broken wires, bare cores, etc.  
 (4) Product damage caused by failure to install, use, maintain, and store in accordance with the user manual.  
 (5) The warranty certificate does not match the product model or has been altered.  
 (6) The product nameplate, SN barcode, and tamper-proof label are torn off or damaged, making them blurred and unrecognizable.  
 (7) The product is out of warranty.  
 (8) Failure or damage caused by irresistible factors (such as fire, earthquake, flood, etc.).

**Repair Service Guide**

(1) Before sending for repair, please back up your personal data in advance. Your personal data may be lost during the maintenance process. We will protect your personal privacy, but we will not be responsible for the damage or loss of personal data during the maintenance process.  
 (2) When sending for repair, the product must be professionally inspected by an authorized service center. After confirming the fault, the service center will determine the corresponding maintenance plan. For detected non-faulty products, it will be returned as is.  
 (3) If a fee is charged because the product does not meet the warranty conditions, the authorized service center will charge the consumer for maintenance.

**NERugged** 合格证

深圳市亿道信息股份有限公司

☎ 电话:400-830-4882

📍 地址:深圳市坪山区坑梓街道金沙社区光辉路1号超捷工业园厂房C栋401

📮 邮编:518122

✉ 邮箱:support@onerugged.com

设备形态:加固笔记本

设备型号:N15T

序列号: \_\_\_\_\_

质保期: \_\_\_\_\_

**检验员:**

**NERugged** CERTIFICATE

Shenzhen Emdoor Information Co., Ltd.

☎ Telephone: 400-830-4882

📍 Address: Room 401, Building C, Chaojie Industrial Park, No. 1 Guanghui Road, Jinsha Community, Kengzi Street, Pingshan District, Shenzhen,China

📮 Post code: 518122

✉ Mail: support@onerugged.com

EQUIPMENT FORM: Rugged Notebook

DEVICE MODEL: N15T

SERIAL NUMBER: \_\_\_\_\_

WARRANTY: \_\_\_\_\_

**INSPECTOR:**

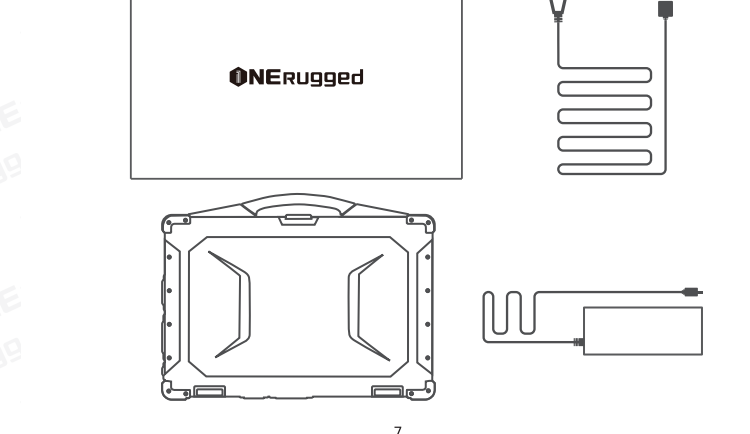
**NERugged** 准备开始/READY TO START

本章首先教导您如何将设备准备好,以便让您开始工作。接着概略地介绍设备的外观和组件。This chapter first tells you step by step how to get the computer up and running. Then, you will find a section briefly introducing the external components of the computer.

**开箱检查/OPEN BOX TO CHECK**

打开包装后,您应该会看到下列标准项目:  
 · N15T加固笔记本 · 电源线 · 电源适配器

After unpacking, you should see the following standard items:  
 · N15T Rugged Notebook Terminal · Power Cord · Power Adapter



**NERugged** 连接电源/CONNECT THE POWER SUPPLY

注意: 仅限使用本产品随附的电源适配器。使用其他电源适配器可能会损坏您的设备。第一次开机时必须连接 AC 电源。  
 Note: Use only the power adapter provided with this product. Using other power adapters may damage your device. It must be connected to the AC power supply when it is turned on for the first time.

**设备开机和关机/TURNING ON AND OFF THE DEVICE**

**开机/START UP**

1.按下电源按钮 开机。操作系统Windows 将启动。  
 1. Press the power button . The operating system Windows will start.

\*The contents of this page shall not be altered without authorization, and please keep the product packaging box to protect your legal rights.

\*本页内容不得擅自涂改,并请保存产品包装盒,以维护您的合法权益。

## 关机/SHUTDOWN

在完成工作之后，您可以关闭电源或者让设备进入睡眠或休眠状态：

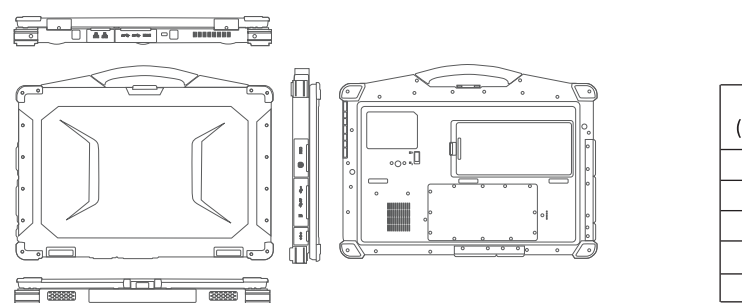
When you're work done, you can power it off or leaving it in Sleep or Hibernation mode:

要/TO...	方法/DO THIS..
关闭电源 (shut down)	单机  → [电源] → [关机]/Click  → [Power] → [Shutdown]
重启 (reboot)	单机  → [电源] → [重启]/Click  → [Power] → [Reboot]
休眠 (Turn off or wake up the screen)	在默认状态下，此项并不会出现在 [电源] 菜单里。如果您想要使用此功能，请到 Windows 的设置处进行设置。 / This item does not appear in the power menu by default. If you want to set up this mode, please go to Windows Settings to set it up.

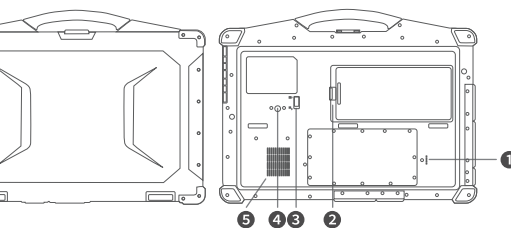
## 设备外观介绍/EQUIPMENT APPEARANCE INTRODUCTION

注：1. 依照所购买的型号不同，设备外观可能和本手册所显示的结构有所不同。

Note: 1. Depending on the special model you purchased, the look of the device may be different from the the graphics shown in this manual.

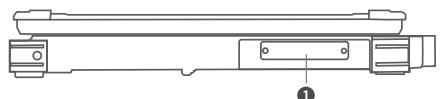


### 正面和背面组件/Front and Back Components

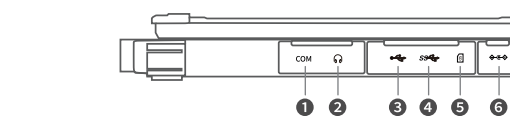


符号 (SYMBOL)	组件 (COMPONENTS)	说明 (DESCRIPTION)
1	Pogo pin	USB定义的拓展接口/USB defined expansion interface
2	电池锁/Battery lock	锁住电池/Lock and protection battery
3	硬盘锁/SSD Lock	锁住插入的硬盘/Locking the inserted SSD
4	排水口/Drainage outlet	便于导出键盘上的积水/For exporting water from the keyboard
5	进气孔/Air Inlet	与散热孔配合散发热量/Work with heat sink holes to dissipate heat

### 左侧组件/Left-Side Components



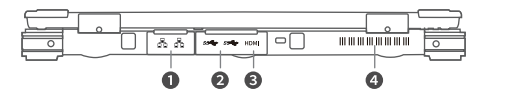
### 右侧组件/Right-Side Component



符号 (SYMBOL)	组件 (COMPONENTS)	说明 (DESCRIPTION)
1	RS232接口/RS232 interface	给平板散热使用 (出风口) /Used for radiating the flat plate (air outlet)
2	耳机接口/Earphone interface	可使用3.5毫米音频线连接音箱播放音频文件 /3.5mm standard earphone audio output Interface
3/4	USB3.0*3/USB2.0*1	USB数据高速传输接口，可连接USB存储设备及即插即用USB设备 /USB data transmission interface, connect USB storage devices and plug and play USB devices
5	SD卡/SD card	在此插入SD卡可扩展存储空间/Expand storage space
6	电源接口/DC jack	连接电源后给设备电池充电 /Charge the device after connecting the power

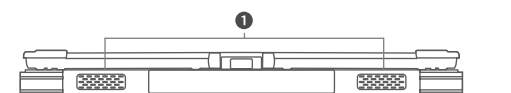
符号 (SYMBOL)	组件 (COMPONENTS)	说明 (DESCRIPTION)
1	硬盘拓展接口/Mechanical hard disk	配合自带的硬盘盒安装2.5寸硬盘插入使用 /Cooperate with the built-in box to install 2.5-inch hard disk and insert it; maximum support 500G

### 顶部组件/Top Components



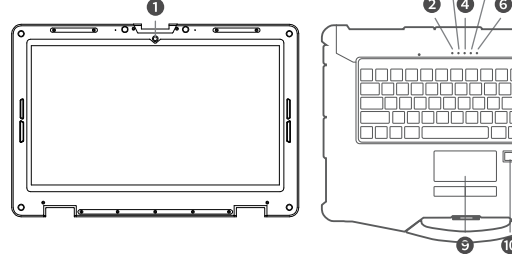
符号 (SYMBOL)	组件 (COMPONENTS)	说明 (DESCRIPTION)
1	网口*2/Ethernet port*2	可直接将网线连接此接口访问网络及45 port, it can be used to link internet
2	USB3.0*3/USB2.0*1	USB数据高速传输接口，可连接USB存储设备及即插即用USB设备 /USB data transmission interface, connect USB storage devices and plug and play USB devices
3	HDMI接口/HDMI	用于传输影音文件到投影仪或高清电视 /HD media interface; it can be used to transfer audio and video files to a projector or high-definition TV
4	散热孔/Heat sink	用于散发热量/Used to dissipate heat

### 底部组件/Bottom Components



符号 (SYMBOL)	组件 (COMPONENTS)	说明 (DESCRIPTION)
1	散热风扇/Cooling Fan	给平板散热使用 (出风口) /Used for radiating the flat plate (air outlet)

### 其他组件/Other Components



符号 (SYMBOL)	组件 (COMPONENTS)	说明 (DESCRIPTION)
1	前置摄像头/Front camera	2MP, 用于拍照录像视频通话等 /2MP, take photos or record video or take a video call
2	电源指示灯/Power indicator	当按下电源键系统开始启动后该指示灯点亮 /The LED will light on when pressing the power key
3	充电指示灯/Indicator Light	当设备连接充电器充电时会不断闪烁 /The indicator can view the charging status of the machine and always flashes while charging
4	硬盘指示灯/Uppercase Indicator Light	当系统对硬盘做读写操作时，该指示灯会闪烁 /When pressing the shift key, the LED light on
5	大写锁定指示灯/HDD LED	但键盘打开大写锁定时，该指示灯会常亮/ When reading HDD, the LED light on
6	3G/4G指示灯 / 3G/4G LED	The 3G/4G is turned on to be blue, and the 3G/4G turns off to be light off
7	P键/P key	一键熄屏或打开 /One-touch screen off or on
8	电源键/Power key	短按可供唤醒系统，长按3-5秒开机，长按20秒可强制关闭系统 /Press it to turn your notebook on or off. Press with 5 seconds to turn on. Press with 10 seconds to turn off. Pressing with short time, for sleep mode or awaken
9	鼠标触摸板/Mouse touchpad	用作鼠标操作/Touch the area to operate the device
10	指纹/Fingerprint key	用于指纹登录windows系统 /It can be used for logging in Windows or file encryption

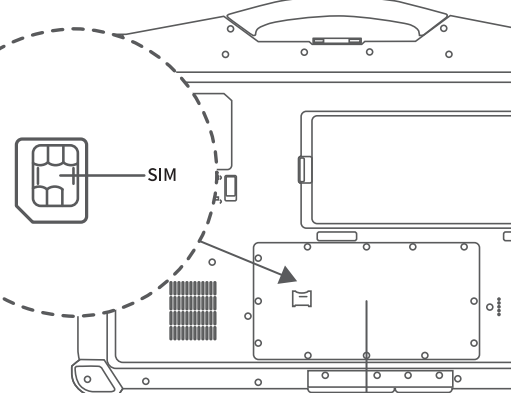
### TF卡、SIM 卡安装

将电池取下，在此位置取下卡座，插入Sim卡。

将SIM卡放入指定位置后重新插回即可使用，如下图

Remove the battery and the card holder, then insert a TF card and Nano Sim card.

Put the TF card and Nano SIM card back to their right positions as shown in the figure below, then to use.



### 电源适配器/POWER ADAPTER

注意：

- 电源适配器仅供您的设备使用。若挪作其它用途将可能损坏接上的电器或者适配器。
- 电源适配器所附的电源线为符合购买地的规格。若要在国外使用此设备，请咨询经销商取得合适的电源线。
- 若欲拔开电源适配器时，必须先拔掉墙壁上的电源插头，再拔掉插在手持机上的电源接头，否则会便设备及适配器受到外部电压冲击而受损。
- 拔掉插头时，请垂直 90° 插拔，切勿拉扯电线，应用手握着插头拔出。

Notice:

- The power adapter is for your device only. If it is used for other purposes, it may damage the connected electrical appliances or adapters.
- The power cord attached to the power adapter must meet the specifications of the place of purchase. To use this device abroad, consult your dealer for a suitable power cord.
- If you want to unplug the power adapter, you must unplug the power plug on the wall first, and then unplug the power connector plugged into the handset, otherwise the device and adapter will be damaged by external voltage impact.
- When unplugging the plug, please plug in 90° vertically, do not pull the wire, and pull out the plug with your hand.

由于您的设备是以直流电运作，但是电源插座通常是提供交流电源，因此电源适配器的作用就是将供电来源的交流电转换为设备所需的直流电。在连接电源适配器的同时，亦自动为电池充电。适配器输入可在100V至240V AC的电压范围内运作，输出为19V。

Since your device runs on DC power, but the power outlet usually provides AC power, the job of the power adapter is to convert the AC power from the power source to the DC power required by the device. The battery is also automatically charged when the power adapter is connected. The adapter input operates from 100V to 240V AC and the output is 19V.

## 故障排除/TROUBLESHOOTING

设备问题可以是硬件、软件、或两者共同引起的。当您遇到问题时，它可能只是一个一般性问题，能够轻易就解决。

本章告诉您在面临一般性问题时，该尝试甚么方法来解决。

Equipment problems can be caused by hardware, software, or both. When you have a problem, When you encounter any problem, it might be a typical problem that can easily be solved. This chapter tells you what actions to take when solving common computer problems

### 初步检查要项/PRELIMINARY CHECKLIST

当您遇到问题时，不妨先做下列的初步检查，也许在此阶段即可解决问题：

- 试着找出问题的来源和类别。
- 确定您在设备开机之前已开启外设备的电源。
- 如果外接的设备出现问题，请确认所有线路的连接是否正确而且牢固。
- 确定 BIOS 中的设置完全正确
- 确定所有驱动程序已安装完成。
- 细观察实际的状况。屏幕上是否出现任何信息？指示灯的亮灯情形为何？当您必须寻求维修人员的帮忙时，您所提供的信息是越详尽越好。

如果按照本章中的说明进行操作后问题仍然存在，请与授权经销商联系以寻求帮助。

When you encounter a problem, you may wish to do the following preliminary checks first, maybe you can solve the problem at this stage:

- Try to identify the source and category of the problem.
- Make sure you have turned on the power of the peripheral device before turning on the device.
- If there is a problem with the external equipment, please confirm whether the connection of all lines is correct and firm.
- Make sure the settings in the BIOS are completely
- Make sure that all the device drivers are correctly installed.

Equipment problems can be caused by hardware, software, or both. When you have a problem, When you Make notes of your observations. Does any message appear on the screen? What is the status of the indicators light? Detailed descriptions are useful to the service personnel when you need to consult one for assistance.

If any problem persists after you follow the instructions in this chapter, contact an authorized dealer for help.