

产品名称: _____

产品型号: _____

客户名称: _____

购买日期: _____

出厂编码: _____

维修记录

保修日期	故障及检测情况说明	维修日期	维修员

PRODUCT NAME: _____

PRODUCT MODEL: _____

NAME OF CLIENT: _____

DATE OF PURCHASE: _____

FACTORY CODE: _____

Maintenance record list

DATE IN SERVICE	EQUIPMENT MAINTENANCE DETAIL	MAINTENANCE DATE	MAINTENANCE PERFORMED BY

保修说明

- 如下情况属于保修范围,可免费维修:
 - 机器质保期为12个月,电源适配器、电脑数据线质保期为12个月。
 - 在质保期内,非人为损坏,免费维修。
 - 质保范围是指产品在正常使用下出现问题。备注:外观问题不属于保修范围。
- 如下情形非保修范围,如需提供维修服务,可酌情收取物料及服务费用:
 - 退换货、送修途中由于运输、装卸所导致的损坏。
 - 任何未经授权许可的改装、拆卸、维修。
 - 意外因素或人为行为导致产品损坏。如:进液、摔损、输入不合适电压、过度挤压、主板变形等。对于电源适配器,若有明显的硬物损伤、裂痕、断脚、严重变形,电线破损、断线、裸芯等现象。
 - 未按使用说明要求安装、使用、维护、保管导致的产品故障或损坏。
 - 保修凭证与产品型号不符或保修凭证被涂改。
 - 产品铭牌、SN条码、防拆标签被撕掉或被损坏,模糊不清无法识别。
 - 已经超出保修期限。
 - 由于不可抗因素(如火灾、地震、水灾等)而造成的故障或损坏。
- 凭保修卡保修。

送修服务指引

- 送修前,请您提前备份个人数据。维修过程中可能会造成您个人数据的丢失,我们会保护您的个人隐私,但不承担维修过程中个人数据损坏、丢失的责任。
- 送修时,产品须经过授权服务中心专业的检测。确认故障后,服务中心会确定相应的维修方案。对于检测无故障产品,将原样退回。
- 因产品不符合保修条件需收取费用的,授权服务中心将向消费者收取维修费。

PRODUCT WARRANTY

- The following are covered by the warranty and can be repaired free of charge:
 - (1) From the purchase date, 12 months warranty period supply for machine, power adapter and data cable.
 - (2) In the case of any malfunction/ breakage/damage that occurs under normal conditions (Non-human damage) within the warranty period, repair will be performed by free.
 - (3) The warranty covers problems with the product under normal use. Note: cosmetic issues are not covered by the warranty.
- The following conditions are not covered under the terms of the warranty. If maintenance services are required, material and service fees may be charged as appropriate:
 - (1) Damage caused by transportation, loading and unloading during return, exchange, and repair.
 - (2) Any unauthorized modification, disassembly and repair.
 - (3) Damage caused by accidental factors or human actions. Such as: liquid ingress, drop damage, input inappropriate voltage, excessive extrusion, motherboard deformation, etc. For the power adapter, if there are obvious hard object damage, cracks, broken feet, severe deformation, damaged wires, broken wires, bare cores, etc.
 - (4) Product damage caused by failure to install, use, maintain, and store in accordance with the user manual.
 - (5) The warranty certificate does not match the product model or has been altered.
 - (6) The product nameplate, SN barcode, and tamper-proof label are torn off or damaged, making them blurred and unrecognizable.
 - (7) The product is out of warranty.
 - (8) Failure or damage caused by irresistible factors (such as fire, earthquake, flood, etc.).

Repair Service Guide

- Before sending for repair, please back up your personal data in advance. Your personal data may be lost during the maintenance process. We will protect your personal privacy, but we will not be responsible for the damage or loss of personal data during the maintenance process.
- When sending for repair, the product must be professionally inspected by an authorized service center. After confirming the fault, the service center will determine the corresponding maintenance plan. For detected non-faulty products, it will be returned as is.
- If a fee is charged because the product does not meet the warranty conditions, the authorized service center will charge the consumer for maintenance.

合格证书

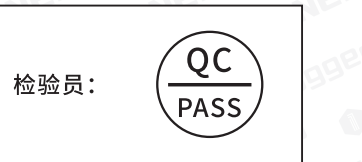
深圳市亿道信息股份有限公司
 电话: 400-830-4882
 地址: 深圳市坪山区坑梓街道金沙社区光辉路1号超捷工业园厂房C栋401
 邮编: 518122
 邮箱: support@onerugged.com

设备形态: 车载平板电脑

设备型号: V80J

序列号: _____

质保期: _____



*本页内容不得擅自涂改,并请保存产品包装盒,以维护您的合法权益。

合格证书

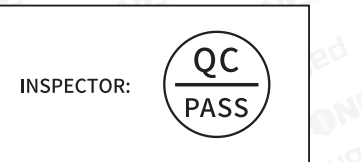
Shenzhen Emdoor Information Co., Ltd.
 Telephone: 400-830-4882
 Address: Room 401, Building C, Chaojie Industrial Park, No. 1 Guanghui Road, Jinsha Community, Kengzi Street, Pingshan District, Shenzhen, China
 Post code: 518122
 Mail: support@onerugged.com

EQUIPMENT FORM: Vehicle PC

DEVICE MODEL: V80J

SERIAL NUMBER: _____

WARRANTY: _____

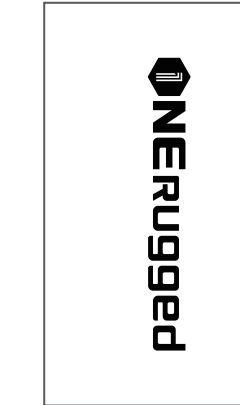


*The contents of this page shall not be altered without authorization, and please keep the product packaging box to protect your legal rights.

本章首先教导您如何将平板准备好,以便让您开始工作。接着概略地介绍平板的外观和组件。This chapter first tells you step by step how to get the computer up and running. Then, you will find a section briefly introducing the external components of the computer.

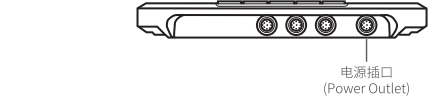
开箱检查/OPEN BOX TO CHECK

- 打开包装后,您应该会看到下列标准项目:
- V80J车载平板电脑 · 电源转接线 · WIFI棒状天线 · GPS天线
- After unpacking, you should see the following standard items:
- V80J Vehicle PC · Power Adapter Cable · WIFI Rod Antenna · GPS Rod Antenna



连接电源/CONNECT THE POWER SUPPLY

注意: 仅限使用本产品随附的电源适配器。使用其他电源适配器可能会损坏您的设备。第一次开机时必须连接 AC 电源。Note: Use only the power adapter provided with this product. Using other power adapters may damage your device. It must be connected to the AC power supply when it is turned on for the first time.



- 电源适配器的电源线接入平板的电源接口。
- 将 AC 电源线的母端口端插入电源适配器,公端口端插入电源插座。
- 电源插座通过适配器为平板供电。
- 接上电源后,电源指示灯亮。

- Insert the power cord of the power adapter into the power port of the device.
- Plug the female end of the AC power cord into the power adapter and the male end into the power outlet.
- The power outlet supplies power to the device through an adapter.
- After connecting to the power supply, the power indicator light will be on.

设备开机和关机/TURNING ON AND OFF THE DEVICE

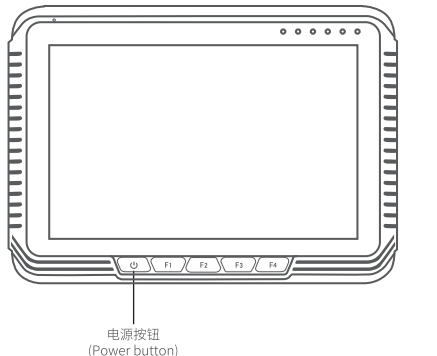
开机/START UP

接上电源后,电源指示灯亮,按电源开关键,等待平板开机,操作系统Microsoft Windows 将在 40 秒后启动,请耐心等待。After connecting to the power supply, the power indicator light will be on, then press the power button, and wait for the device to power on. The operating system Microsoft Windows will start in 40 seconds. Please wait patiently.

关机/SHUTDOWN

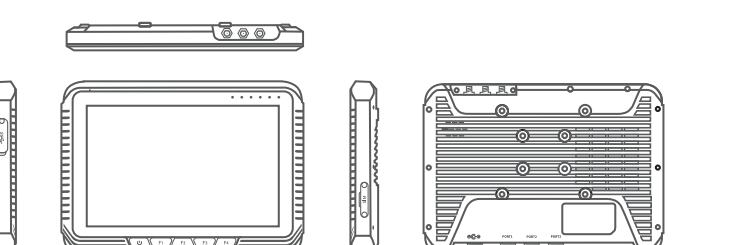
在完成工作之后,您可以关闭电源或者让平板进入睡眠或休眠状态: When you are work done, you can power it off or leaving it in Sleep or Hibernation mode:

要/TO...	方法/DO THIS..
关闭电源 (shut down)	单击 → [电源] → [关机]/Click → [Power] → [Shutdown]
睡眠 (Sleep)	使用下述任一方法/Use one of these methods: ● 按电源键/Press the power button ● 单击 → [电源] → [睡眠]/Click → [Power] → [Sleep]
休眠 (Hibernation)	在默认状态下, 此项并不会出现在 [电源] 菜单里。如果您想要使用此功能, 请到 Windows 的设置处进行设置/This item does not appear in the power menu by default. If you want to set up this mode, please go to Windows Settings to set it up.

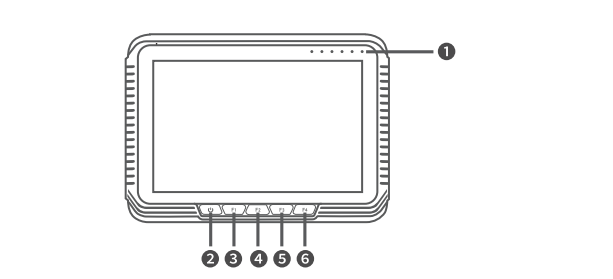


设备外观介绍/EQUIPMENT APPEARANCE INTRODUCTION

注: 1. 依照所购买的型号不同, 设备外观可能和本手册所显示的结构有所不同。
Note: 1. Depending on the special model you purchased, the look of the device may be different from the graphics shown in this manual.

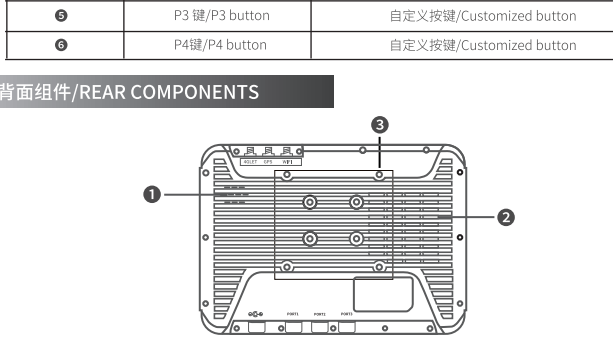


正面组件/FRONT COMPONENTS



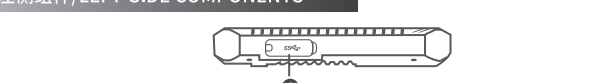
符号 (SYMBOL)	组件 (COMPONENTS)	说明 (DESCRIPTION)
1	指示灯/Earpiece	1). 电源指示灯 (开机即蓝)/Power light (blue when is turned on) 2). 充电灯 (DC 通电即红)/Charging light (red when DC is powered on) 3). 充满指示灯 (有电池时, 充满即绿, 无小电池时不亮)/Battery full indicator (When there is a small battery, it is green when fully charged, and is not on when here is no small battery)
2	电源键/power button	平板开机关机或休眠/Used to power on/off the device, or hibernation
3	P1 键/P1 button	音量+/volume +

背面组件/REAR COMPONENTS



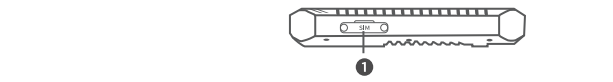
符号 (SYMBOL)	组件 (COMPONENTS)	说明 (DESCRIPTION)
1	扬声器/Loudspeaker	让声音传播更远大/Further spread sound
2	散热口/Heat sink	平板散热/Device heat dissipation
3	VESA孔/VESA hole	用于配合 VESA 支架固定/For a fixation with VESA brackets

左侧组件/LEFT-SIDE COMPONENTS



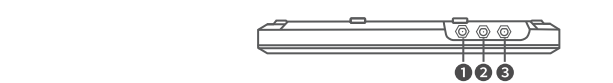
4	P2 键/P2 button	音量-/volume -
5	P3 键/P3 button	自定义按键/Customized button
6	P4 键/P4 button	自定义按键/Customized button

右侧组件/RIGHT-SIDE COMPONENT



符号 (SYMBOL)	组件 (COMPONENTS)	说明 (DESCRIPTION)
1	SIM 卡卡槽 (选配) /SIM card slot (optional)	插入 SIM 卡, 使用 4G 通信网络功能 (Insert SIM card to use 4G communication network functions)(This interface is optional with the 4G module)

顶部组件/TOP COMPONENTS



符号 (SYMBOL)	组件 (COMPONENTS)	说明 (DESCRIPTION)
1	4G 外置天线接口 (选配) /4G external antenna interface (optional)	连接 4G 棒状天线, 接收 4G 信号及网络 (Connect 4G rod antenna to receive 4G signals and networks)

符号 (SYMBOL)	组件 (COMPONENTS)	说明 (DESCRIPTION)
1	USB 接口/USB interface	USB3.0 接口, 用于数据传输以及 USB 设备扩展 (USB3.0 used for data transmission and USB device expansion)

底部组件/BOTTOM COMPONENTS

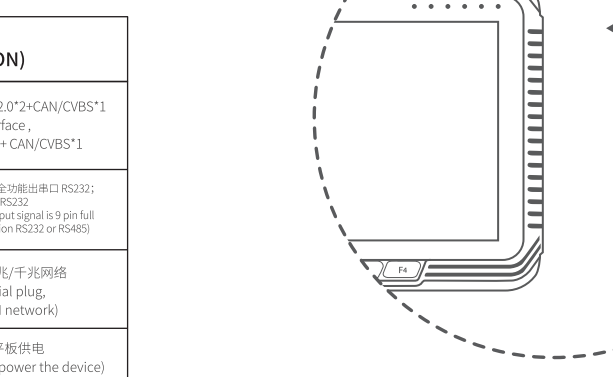


符号 (SYMBOL)	组件 (COMPONENTS)	说明 (DESCRIPTION)
1	Port 3 (选配) /Port 3 (optional)	选配信号接口, 信号输出为 USB2.0*2+CAN/CVBS*1 和 signal output is USB2.0*2+ CAN/CVBS*1
2	Port 2 (选配) /Port 2 (optional)	RS232 *1+RS232/RS485 *1, 9PIN DB9 全功能出串口 RS232; 3PIN 数据传输 RS485 / RS232 (Optional serial port aviation plug, output signal is 9 pin full function RS232+3 pin data transmission RS232 or RS485)
3	Port 1 (选配) /Port 1 (optional)	选配网口航插, 自适应百兆/千兆网络 (Optional network aerial plug, adaptive 100M or 1000M network)
4	电源接口 (标配) /Power interface (standard)	连接电源适配器, 给平板供电 (Connect the power adapter to power the device)

2	GPS 外置天线接口 (标配) /GPS external antenna interface (standard)	连接 GPS 棒状天线, 接收 GPS 信号 (Connect GPS rod antenna to receive GPS signals)
3	WIFI 外置天线接口 (标配) /WIFI external antenna interface (standard)	连接 WIFI 棒状天线, 接收 WIFI 信号 (Connect WIFI rod antenna to receive WIFI signals)

SIM 卡安装

注: SIM 卡卡槽为选配模块, 如您购买的标准模块未配备该功能, 则该章节可以忽略。
拆开防水塞, 插入 SIM 卡。
Note: The SIM card slot module is optional. If the standard module you purchased is not equipped with this function, this chapter can be ignored.
Remove the waterproof plug and insert the SIM card



电源适配器/POWER ADAPTER

注意:
· 若欲断开电源适配器时, 必须先拔掉墙壁上的电源插头, 再拔掉插在设备上的电源接头, 否则会使设备及适配器受到外部电压冲击而受损。
· 拔掉插头时, 请垂直 90° 插拔, 切勿拉扯电线, 应用手握着插头拔出。
Notice:
· When you disconnect the power adapter, disconnect from the power outlet first and then from the device. Reverse procedure may damage the AC adapter or device.
· When unplugging the connector, please plug in 90° vertically, always hold the plug head. Never pull on the cord.

由于您的设备是以直流电运作, 但是电源插座通常是提供交流电源, 因此电源适配器的作用就是将供电来源的交流电转换为设备所需的直流电。在连接电源适配器的同时, 亦自动为电池充电。适配器可在 100V 至 240V AC 的电压范围内运作。
The power adapter serves as a converter from AC (Alternating Current) to DC (Direct Current) power because your device runs on DC power, but an power outlet usually provides AC power. It also charges the battery pack when connected to power adapter. The adapter operates on any voltage in the range of 100~240V AC.

故障排除/TROUBLESHOOTING

设备问题可以是硬件、软件、或两者共同引起的。当您遇到问题时, 它可能只是一个一般性问题, 能够轻易就解决。
本章告诉您在面临一般性问题时, 该尝试什么方法来解决。
Equipment problems can be caused by hardware, software, or both. When you have a problem, when you encounter any problem, it might be a typical problem that can easily be solved. This chapter tells you what actions to take when solving common computer problems

初步检查要项/PRELIMINARY CHECKLIST

当您遇到问题时, 不妨先做下列的初步检查, 也许在此阶段即可解决问题:
· 试着找出问题的来源和类别。
· 确定您在设备开机之前已开启外设备的电源。
· 如果外接的设备出现问题, 请确认所有线路的连接是否正确而且牢固。
· 确定 BIOS 中的设置完全正确。
· 确定所有驱动程序已安装完成。
· 细观察实际的状况。屏幕上是否出现任何信息? 指示灯的亮灯情形为何? 当您必须寻求维修人员的帮忙时, 您所提供的信息是越详尽越好。
如果按照本章中的说明进行操作后问题仍然存在, 请与授权经销商联系以寻求帮助。
When you encounter a problem, you may wish to do the following preliminary checks first, maybe you can solve the problem at this stage:
· Try to identify the source and category of the problem.
· Make sure you have turned on the power of the peripheral device before turning on the device.
· If there is a problem with the external equipment, please confirm whether the connection of all lines is correct and firm.
Make sure the settings in the BIOS are completely
· Make sure that all the device drivers are correctly installed.
Equipment problems can be caused by hardware, software, or both. When you have a problem, when you Make notes of your observations. Does any message appear on the screen? What is the status of the indicators light? Detailed descriptions are useful to the service personnel when you need to consult one for assistance.
If any problem persists after you follow the instructions in this chapter, contact an authorized dealer for help.